

PLEASE CHECK WWW.MOLEX.COM FOR LATEST PART INFORMATION

Part Number: [0479890322](#)
Status: **Active**
Description: 1.00mm (.039") by 1.00mm (.039") rPGA 988B Notebook PC CPU Socket, with Mylar, Tape-on-Reel Packaging, 988 Circuits, Lead-free

Documents:

[Drawing \(PDF\)](#) [RoHS Certificate of Compliance \(PDF\)](#)
[Product Specification PS-47989-001 \(PDF\)](#)

General

Product Family	Processor Sockets
Series	47989
Comments	Mylar
Component Type	Socket
Product Name	rPGA988B, rPGA989

Physical

Circuits (Loaded)	988
Color - Resin	Black, Natural
Durability (mating cycles max)	30
Material - Metal	Copper Alloy
Material - Plating Mating	Gold
Material - Plating Termination	Copper, Silver, Tin
Material - Resin	High Temperature Thermoplastic
Packaging Type	Embossed Tape on Reel
Pitch - Mating Interface (in)	0.039 In
Pitch - Mating Interface (mm)	1.00 mm
Plating min: Mating (µin)	15
Plating min: Mating (µm)	0.38
Temperature Range - Operating	-20°C to +90°C
Termination Interface: Style	Solder or Weld

Electrical

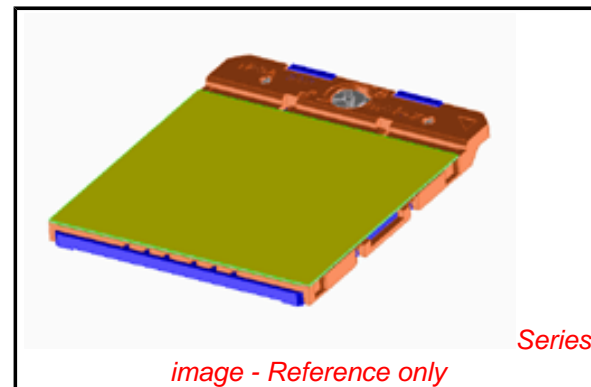
Current - Maximum per Contact	.5A
Voltage - Maximum	5V

Material Info

Reference - Drawing Numbers

Packaging Specification	PK-47989-001
Product Specification	PS-47989-001
Sales Drawing	SD-47989-001

Intel and Nehalem and relevant names are either trademarks or registered trademarks of Intel Corporation



EU RoHS

**ELV and RoHS
Compliant**
**REACH SVHC
Not Reviewed**
**Halogen-Free
Status
Not Reviewed**

China RoHS



Need more information on product environmental compliance?

Email productcompliance@molex.com
 For a multiple part number RoHS Certificate of Compliance, [click here](#)

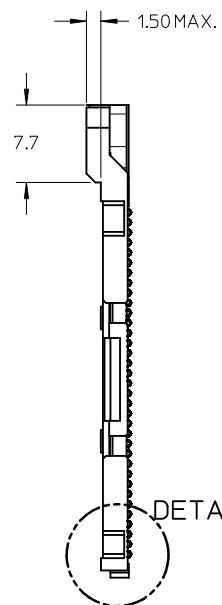
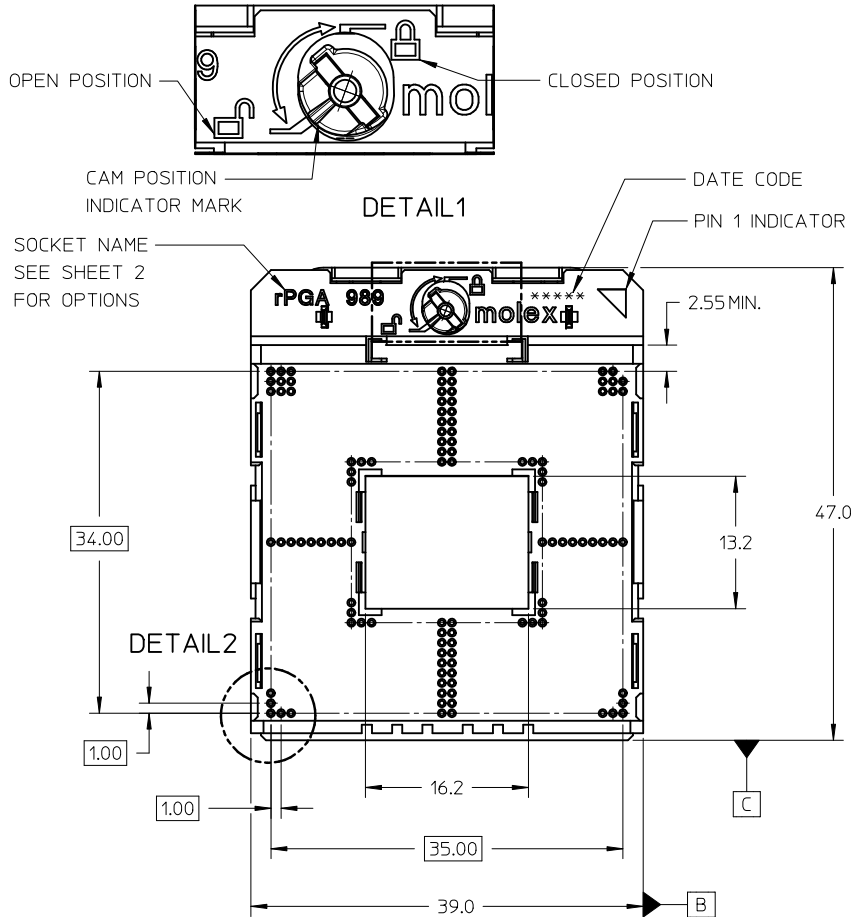
Please visit the [Contact Us](#) section for any non-product compliance questions.

Search Parts in this Series

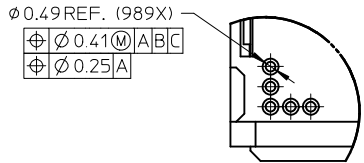
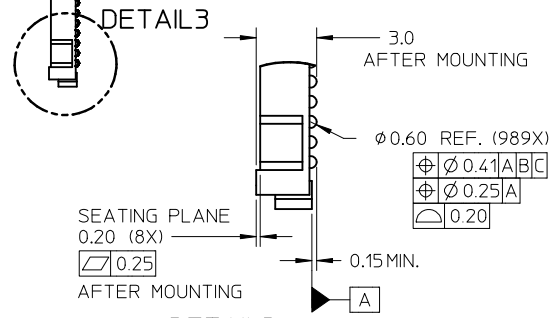
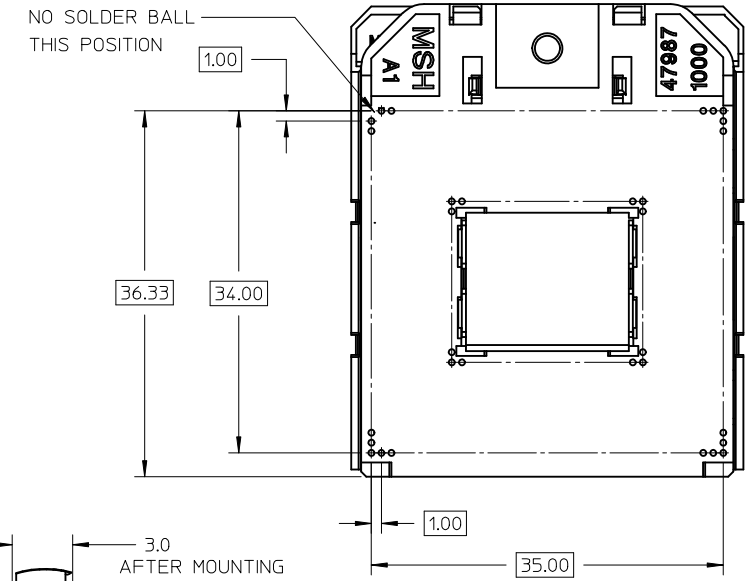
[47989Series](#)

Mates With

Intel* Nehalem Processor



- NOTES:
- 1) THIS SOCKET COMPLIES WITH ALL SPECIFICATIONS AND PERFORMANCE REQUIREMENTS FOR INTEL rPGA98X SERIES CPU PROCESSORS.
 - 2) SOCKET SHOWN IN OPEN POSITION.
 - 3) SEE SHEET 2 FOR DETAILS PERTAINING TO KEYING, MATERIAL AND PACKAGING OPTIONS.
 - 4) THIS PRODUCT SERIES COMPLIANT TO RoHS DIRECTIVE 2002/95/EC AND ELV DIRECTIVE 2000/53/EC.

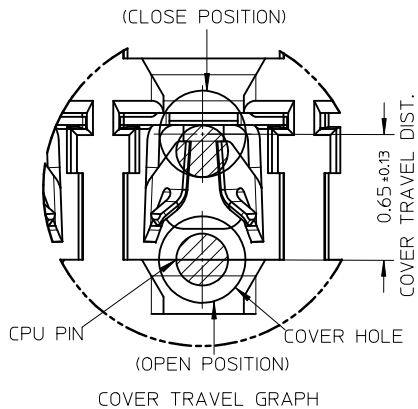
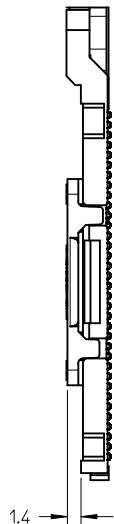
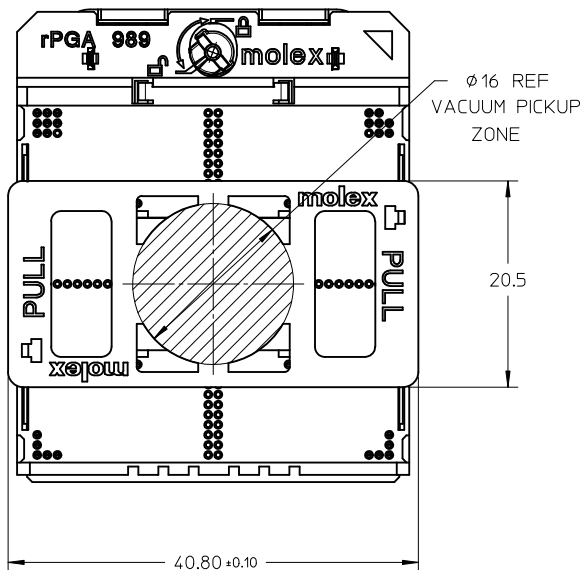


DETAIL2

ENTER DESCRIPTION EC NO: SH2010-0084 DRWN: JZHANG11 CHKD: 2009/09/25 APPR: WEDENG 2009/10/12	QUALITY SYMBOLS $F_A=0$ $F_C=0$ $F_P=0$	GENERAL TOLERANCES (UNLESS SPECIFIED)		DIMENSION STYLE MM ONLY	SCALE 2:1	DESIGN UNITS METRIC	THIRD ANGLE PROJECTION
	4 PLACES ± --- ± --- 3 PLACES ± --- ± --- 2 PLACES ± 0.10 ± --- 1 PLACE ± 0.20 ± --- ANGULAR ± 2 °	mm INCH ± --- ± --- ± 0.10 ± --- ± 0.20 ± ---	DRAWN BY QWFANG	DATE 2008/04/25	CHECKED BY JKACH LIC	DATE 2008/05/29	TITLE RPGA989 SOCKET ASSEMBLY
APPROVED BY CL IANG	DATE 2008/05/29	MATERIAL NO. SEE TABLE		MOLEX INCORPORATED		DOCUMENT NO. SD-47989-001	SHEET NO. 1 OF 3
DRAFT WHERE APPLICABLE MUST REMAIN WITHIN DIMENSIONS							
THIS DRAWING CONTAINS INFORMATION THAT IS PROPRIETARY TO MOLEX INCORPORATED AND SHOULD NOT BE USED WITHOUT WRITTEN PERMISSION							

10 9 8 7 6 5 4 3 2 1

REMOVEABLE PICK & PLACE CAP



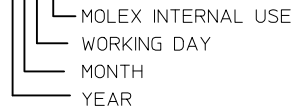
DETAIL 40:1

NOTES:

1) MATERIALS:

MOLDED COMPONENTS: LIQUID CRYSTAL POLYMER (LCP) UL 94V-0
 BASE HOUSING COLOR: BLACK
 COVER COLOR: NATURAL
 MYLAR(POLYIMIDE; COLOR:ORANGE) OR PnP COVER(LCP; COLOR: BLACK)
 FOR PICK & PLACE.
 CONTACTS: HIGH STRENGTH COPPER ALLOY
 PLATING: 0.38um GOLD IN CONTACT AREA, 1.3um NICKEL OVERALL
 CAM COMPONENTS: STAINLESS STEEL
 SOLDER BALL: LEAD-FREE BALL SnAg3.0Cu0.5

2) DATE CODE *****

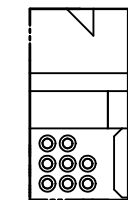
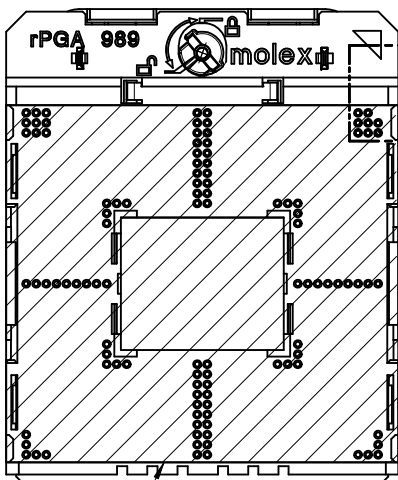


3) PRODUCT SPECIFICATION 47989-001 APPLIES

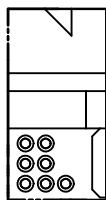
4) PACKAGING SPECIFICATION: PK-47989-001 (TAPE & REEL)
 PK-47989-002 (HARD TRAY)

SOCKET KEYING OPTIONS

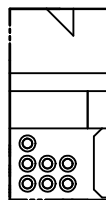
MYLAR PICK & PLACE OPTION



rPGA989
47989-01**



rPGA988A
47989-02**

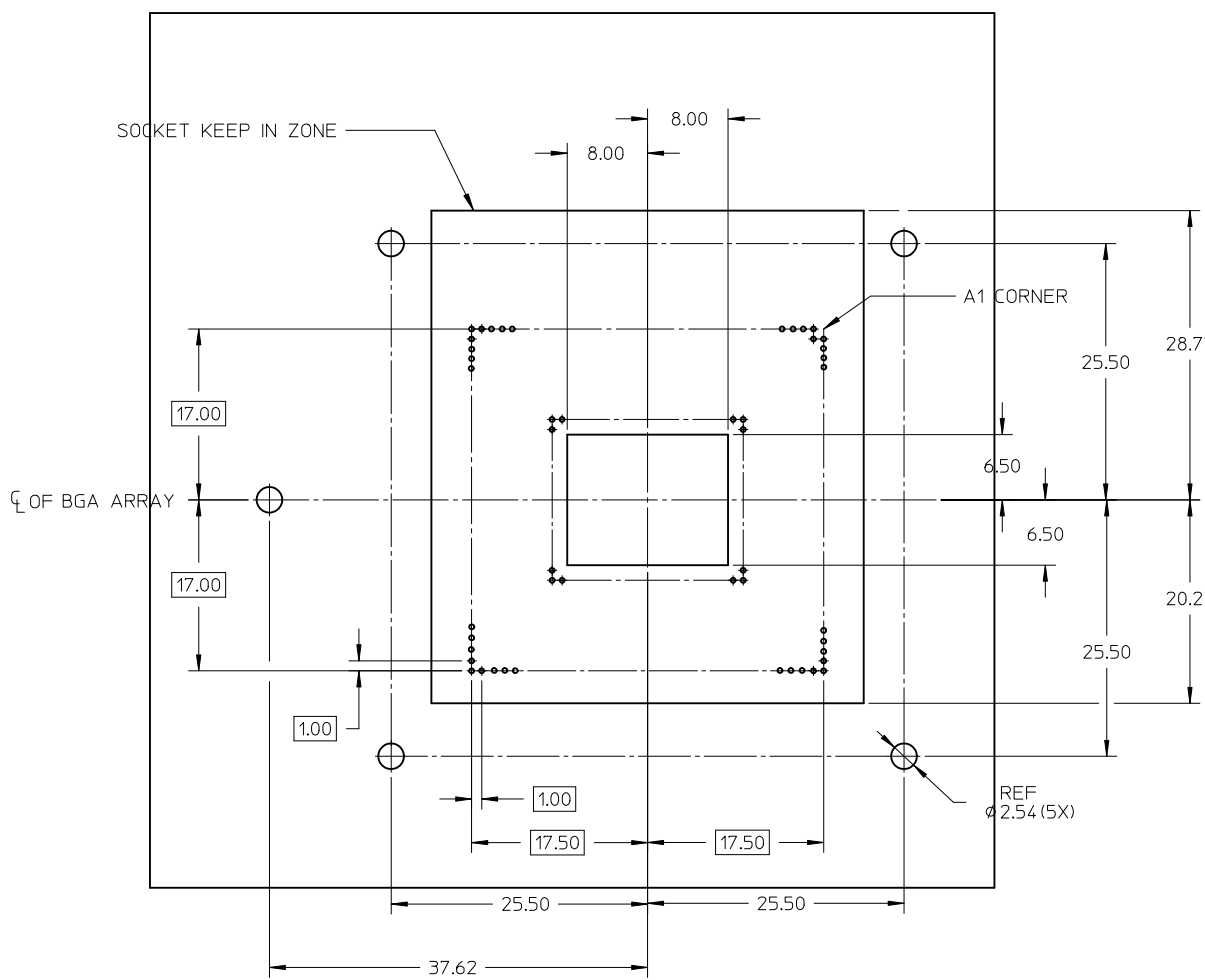


rPGA988B
47989-03**

PART NUMBER	PICK UP TYPE		PACKAGE TYPE	
	MYLAR	CAP	T&R	HARD TRAY
47989-0112	◆			◆
47989-0122	◆		◆	
47989-0132		◆		◆
47989-0142		◆	◆	
47989-0212	◆			◆
47989-0222	◆		◆	
47989-0232		◆		◆
47989-0242		◆	◆	
47989-0312	◆			◆
47989-0322	◆		◆	
47989-0332		◆		◆
47989-0342		◆	◆	

ENTER DESCRIPTION EC NO: SHZ010-0084 DRWN: JZHANG11 CHKD: APPR: WFDENG REV A	DESCRIPTION QUALITY SYMBOLS $F_A=0$ $F_G=0$ $F_P=0$	GENERAL TOLERANCES (UNLESS SPECIFIED)		DIMENSION STYLE MM ONLY		SCALE 2:1	DESIGN UNITS METRIC	THIRD ANGLE PROJECTION	
		4 PLACES ± --- ± --- 3 PLACES ± --- ± --- 2 PLACES ± 0.10 ± --- 1 PLACE ± 0.20 ± ---	mm INCH ± --- ± --- ± 0.10 ± --- ± 0.20 ± ---	DRAWN BY QWFANG	DATE 2008/04/25	TITLE RPGA989 SOCKET ASSEMBLY			
		ANGULAR ± 2 °		CHECKED BY JKACH LIC	DATE 2008/05/29	MOLEX INCORPORATED			
		DRAFT WHERE APPLICABLE MUST REMAIN WITHIN DIMENSIONS		APPROVED BY CL IANG	DATE 2008/05/29	MATERIAL NO. SEE TABLE	DOCUMENT NO. SD-47989-001	SHEET NO. 2 OF 3	

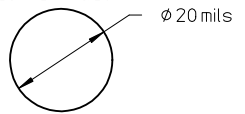
9 8 7 6 5 4 3 2 1



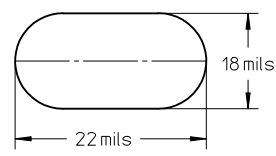
NOTES:

shape pada of PCB are recommended

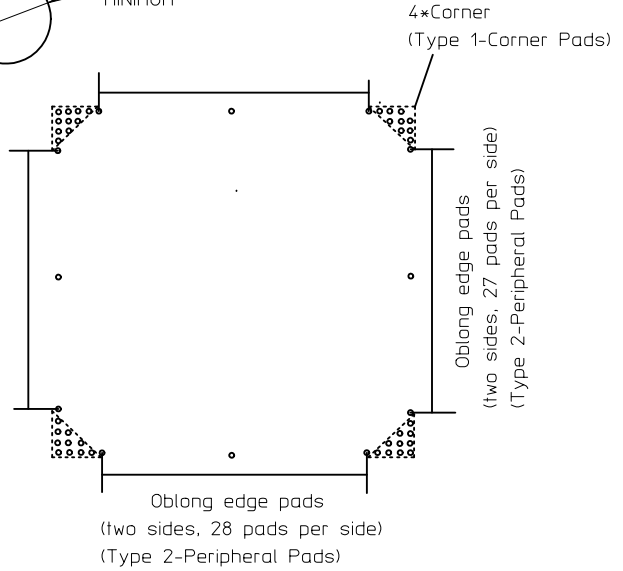
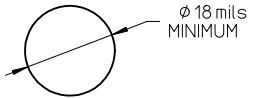
TYPE1-Corner Pads



TYPE2-Peripheral Pads (Oblong-shape pada are recommended)



TYPE3-All Other Location Except for those of Type1 and Type2 Locations)



MOTHERBOARD KEEP IN ZONE (KIZ)

ENTER DESCRIPTION EC NO: SH2010-0084 DRWN: JZHANG11 CHKD: 2009/09/25 APPR: WFDENG 2009/10/12	QUALITY SYMBOLS	GENERAL TOLERANCES (UNLESS SPECIFIED)		DIMENSION STYLE		SCALE	DESIGN UNITS	THIRD ANGLE PROJECTION	
	$F_A = 0$	mm	INCH	MM ONLY		2:1	METRIC		
	$F_C = 0$	4 PLACES ± ---	± ---	DRAWN BY	DATE	TITLE			
	$F_P = 0$	3 PLACES ± ---	± ---	QWFANG	2008/04/25	RPGA989 SOCKET ASSEMBLY			
	2 PLACES ± 0.10	± ---	CHECKED BY	DATE					
	1 PLACE ± 0.20	± ---	JKACH LIC	2008/05/29					
	ANGULAR ± 2 °		APPROVED BY	DATE					
	DRAFT WHERE APPLICABLE MUST REMAIN WITHIN DIMENSIONS		CL IANG	2008/05/29					
			MATERIAL NO.	SEE TABLE	DOCUMENT NO.		MOLEX INCORPORATED		SHEET NO.
			SIZE	A3	THIS DRAWING CONTAINS INFORMATION THAT IS PROPRIETARY TO MOLEX INCORPORATED AND SHOULD NOT BE USED WITHOUT WRITTEN PERMISSION				3 OF 3